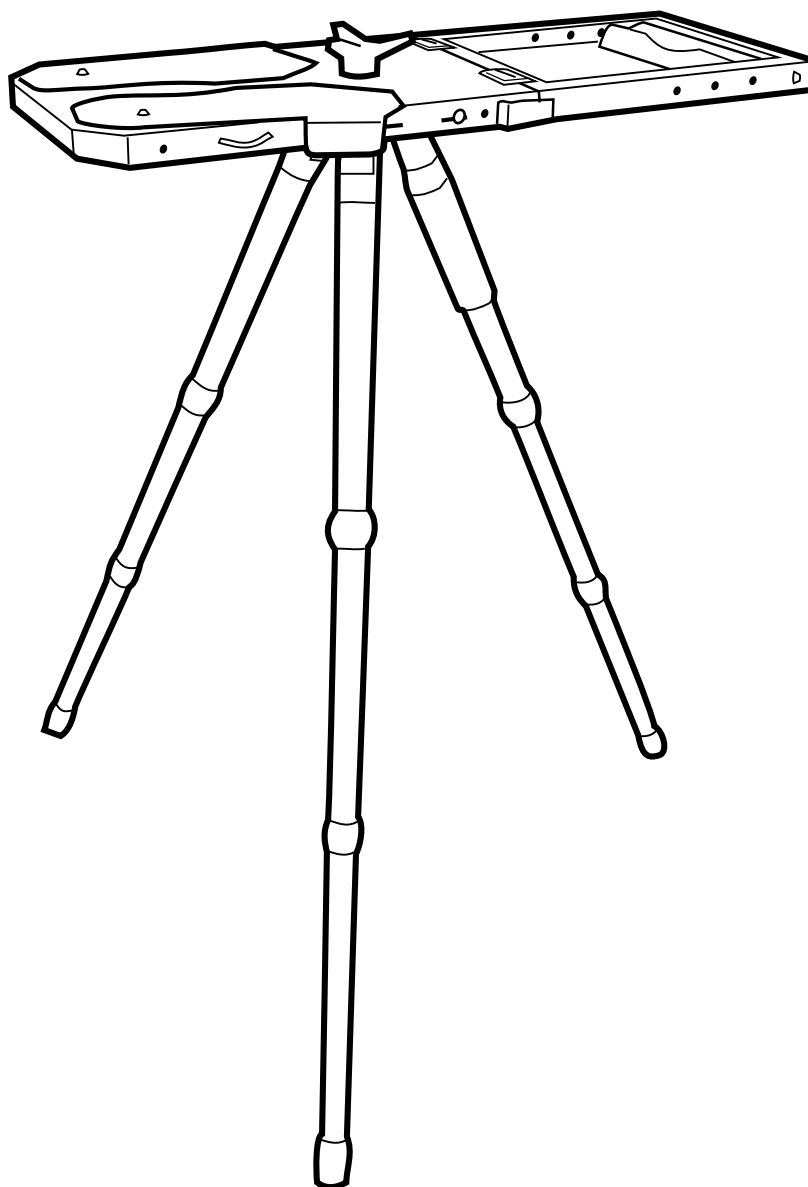


Tactical Sniper Bench (TSB)

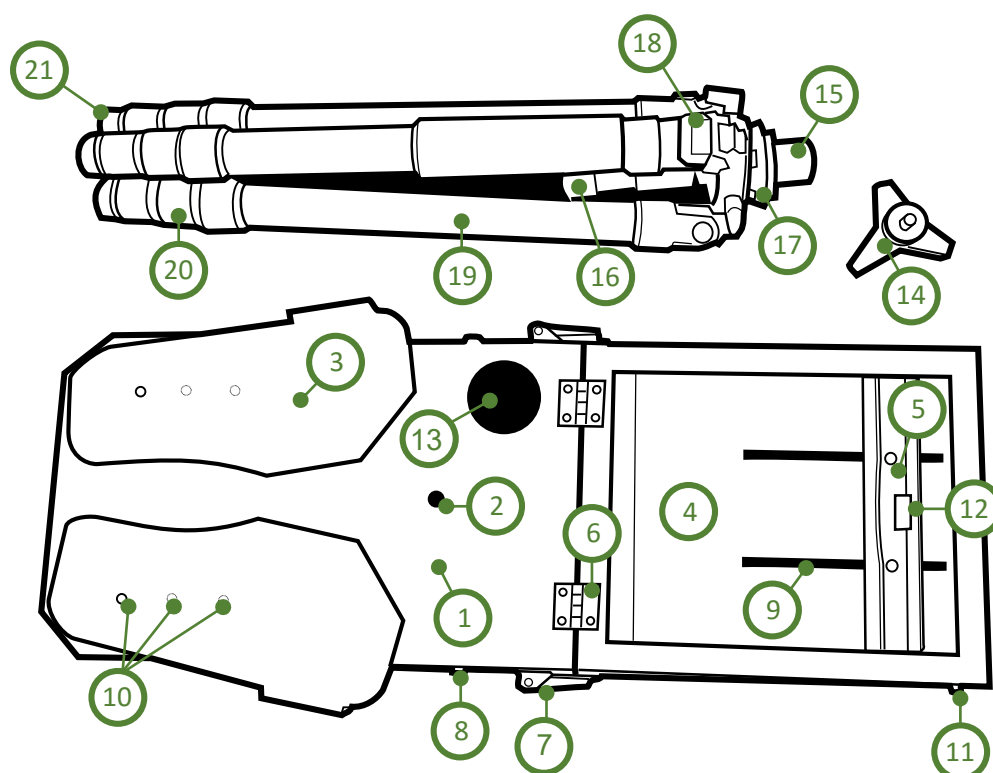
Technical data	1
Let's start	2-6
Possible malfunctions and solutions	7



Technical data

Zikitec®

Weight: Including Tripod (Carbon / Aluminum)	5.1 / 6.4 kg
Bench Size: Folded	7 x 45 x 28 cm
Bench Size:: Open	3.5 x 80 x 28 cm
Tripod Size: Folded	
Height: deployed	50 - 180 cm



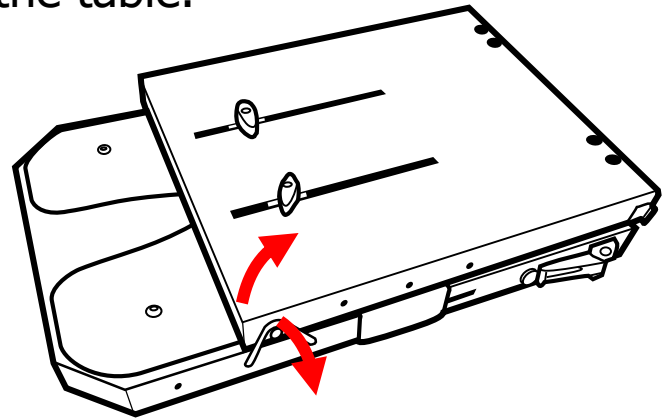
1	Central plate
2	Connection axis
3	Elbow support (wing)
4	Front plate
5	Bipod tunnel
6	Folding hinge
7	Side lock
8	Side lock magnet
9	Bipod tunnel adjustment Canal
10	Wings adjustment slots
11	Closing Pin
12	Leveler

13	Cup holder
14	Central screw
15	Tripod-bench adapter
16	Ball Head handle
17	Ball Head
18	Spread control button
19	Tripod leg
20	Led length adjustment screw
21	Replaceable rubber feet

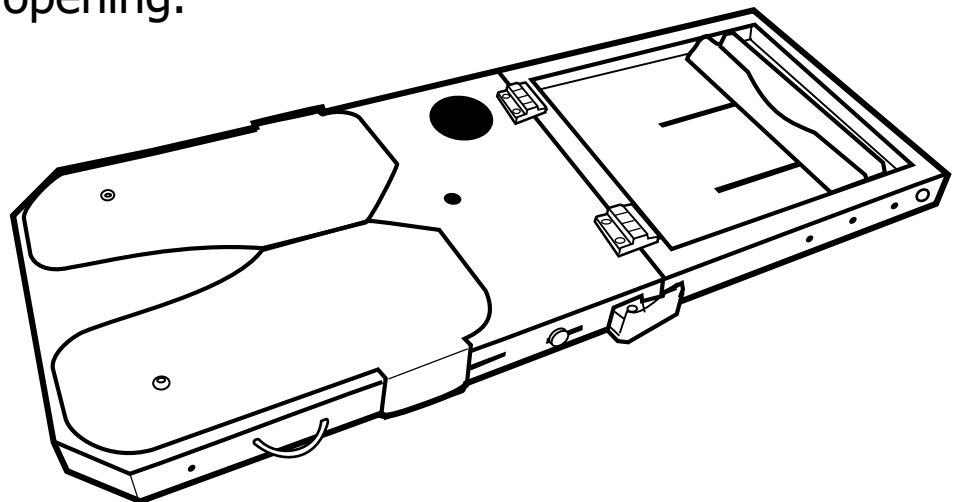
Let's start

Zikitec®

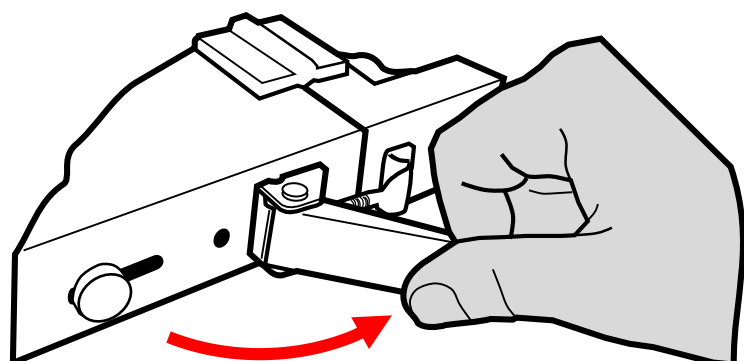
1. Move the rubber, and open the table.



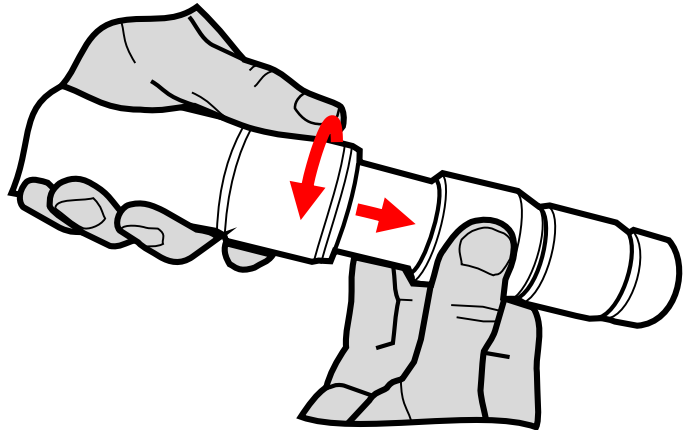
2. Note that the table fully opened, and no objects that kept him from fully opening.



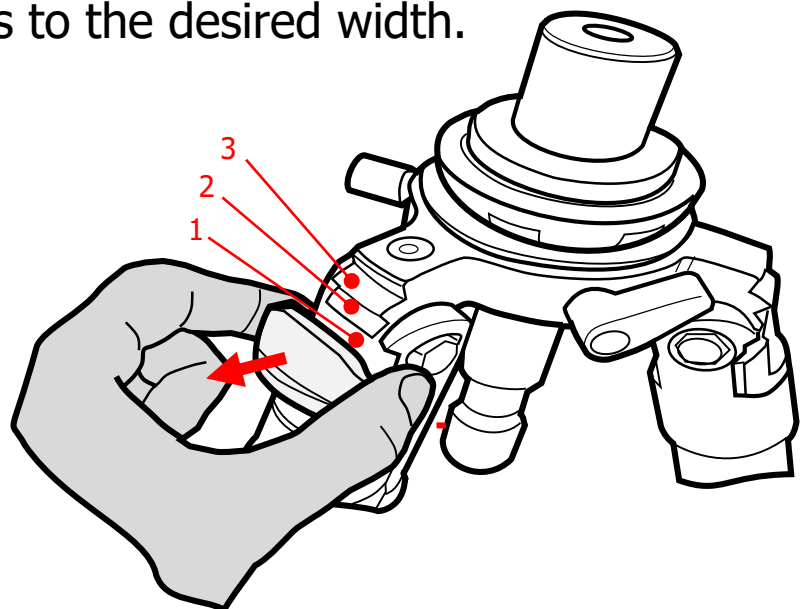
3. Lock the side lock until you hear a "click"



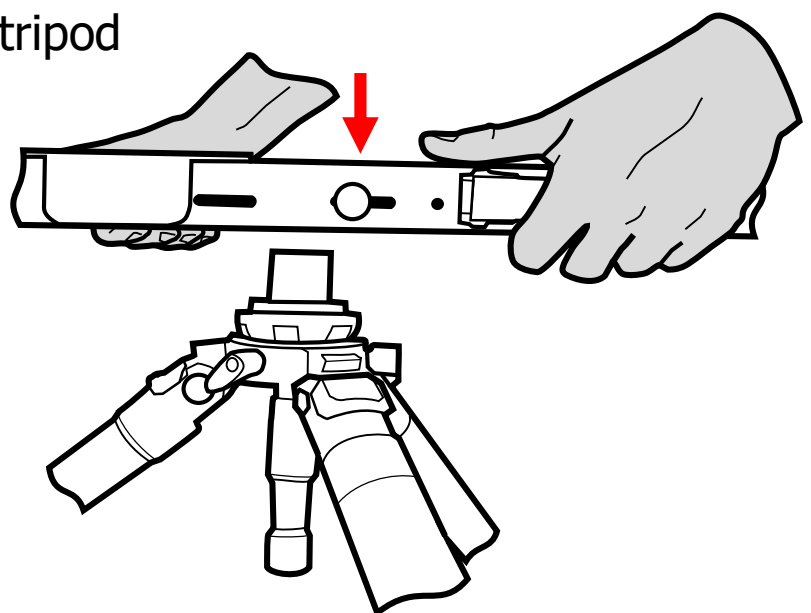
4. Adjust the tripod legs to the desired length.



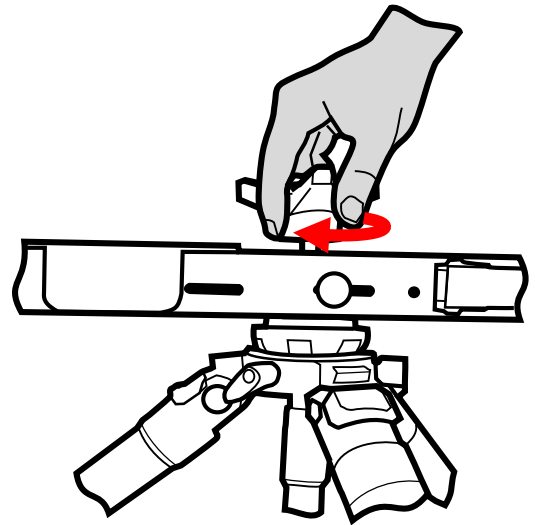
5. Spread the tripod legs to the desired width.



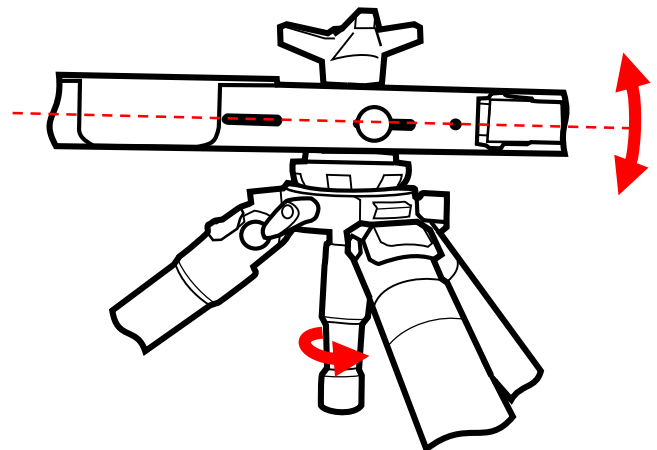
6. Place the bench on a tripod



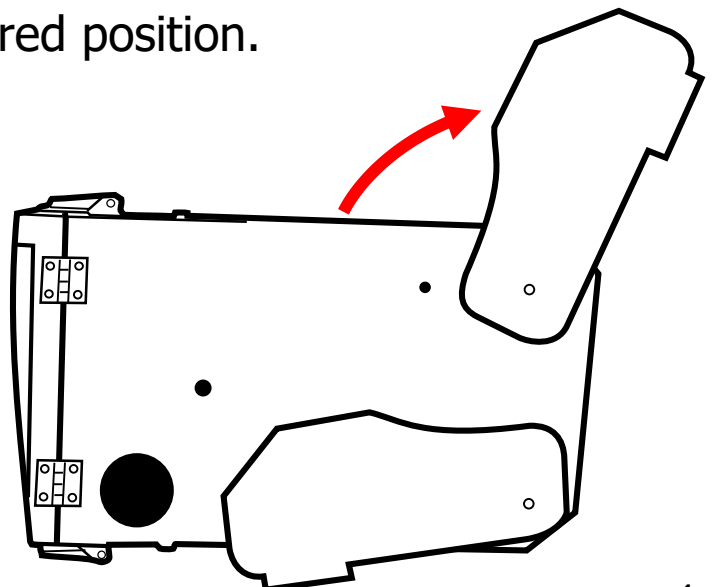
7. Screw the bench to the tripod.



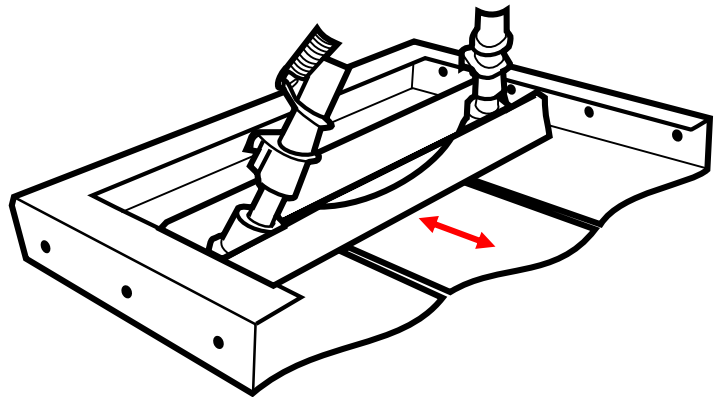
8. Turn the handle to control ball-joint of the bench.



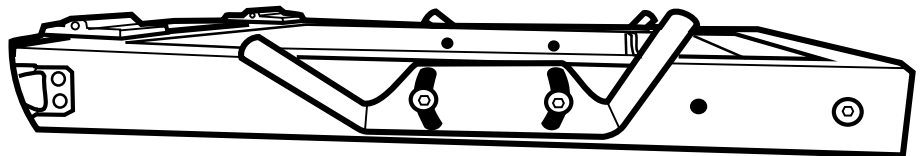
9. Open the wings to the desired position.



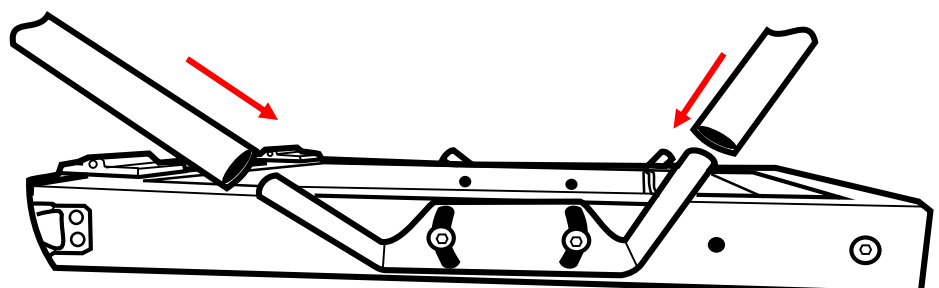
10. Use the bipod tunnel to adjust the
Location of the weapon on the bench.



11. For connecting camouflage to the TSB connect the UCA
(urban camo adaptor) to the front plate.

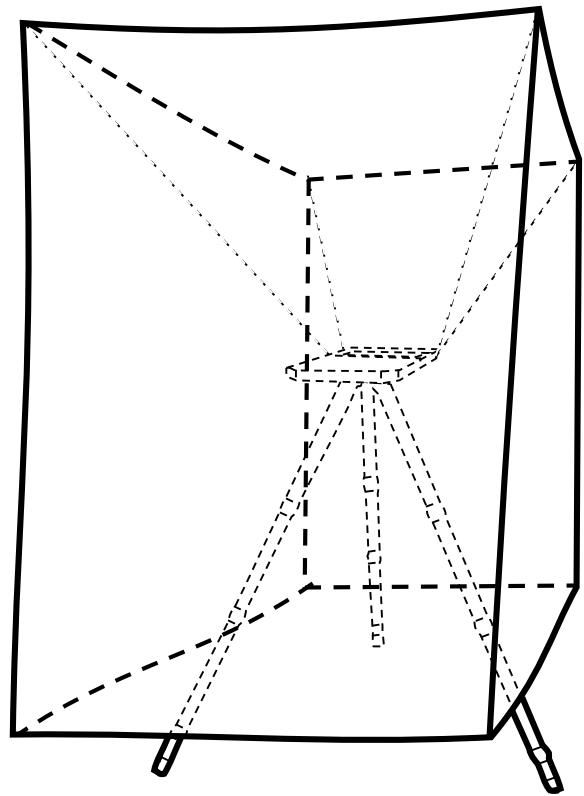


12. Connect the camouflage poles to the UCA



13. Put the camouflage on the camouflage

Poles when net upfront.



Possible malfunctions and solutions

Zikitec®

1. The bench is shaky after the connection to tripod - check if the connector attached well to the tripod, if not rotate him on the screw.
2. The connection between the middle and front plate is not good - adjust the side lock tighter.
3. The tripod leg is slipping - close stronger the Led length adjustment screw.